

DISTRO A



Joint Tactical Networking Center (JTNC)

SCA 4.1 Test Suite (STS) Demo



Prepared For:
WinnForum

Prepared By:
Huan Dao – Software Development
Lead

Date: 11/29/2021



Agenda

- STS Overview
- STS Demo
- Q/A



STS Overview

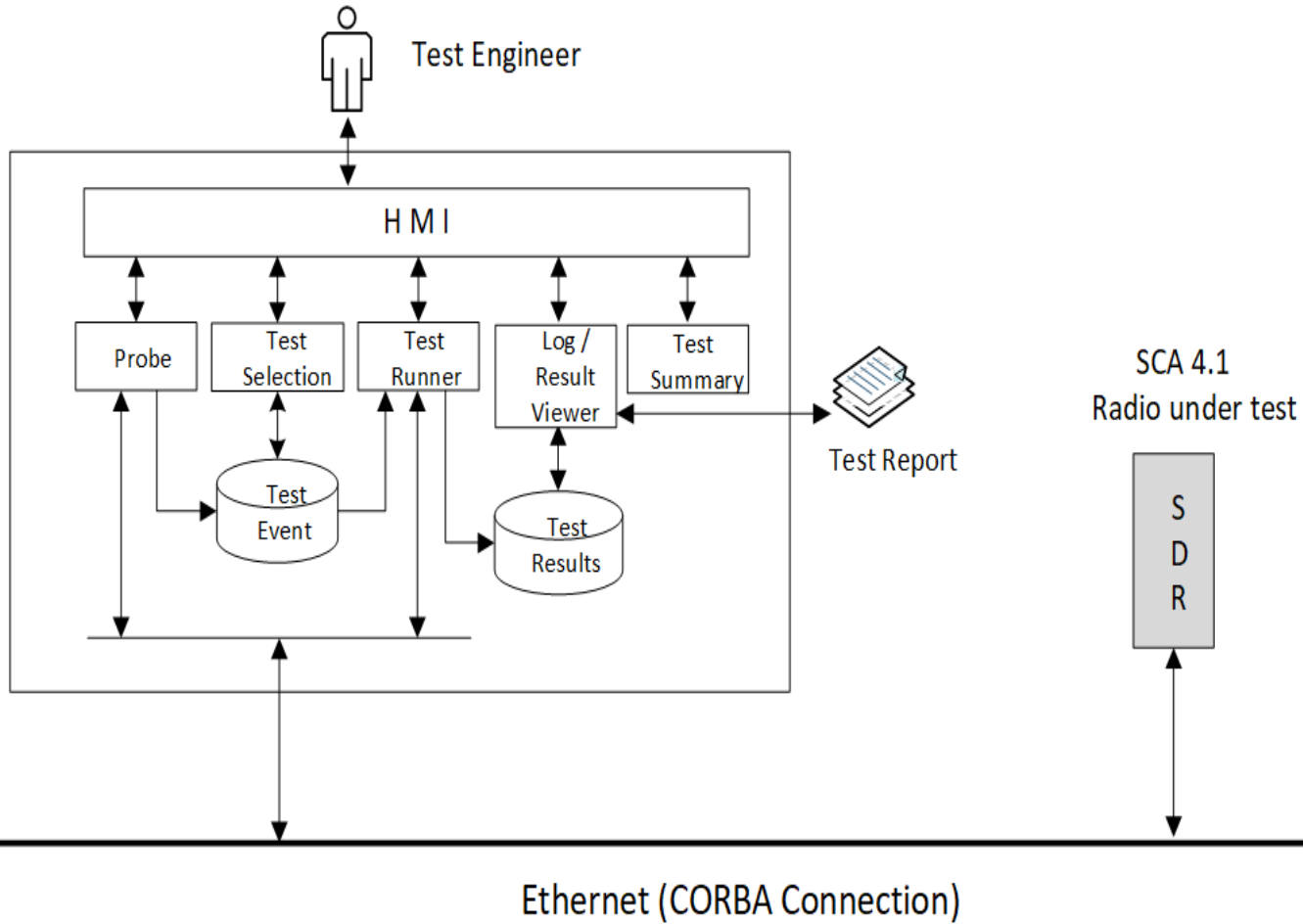
The STS is a software application developed by JTNC Test and Evaluation Lab (JTEL), sponsored by JTNC, which assesses the compliance of a software defined radio (SDR) set against the SCA Specification v4.1. STS runs on a Windows laptop or workstation and is networked to the radio set using Common Object Request Broker Architecture (CORBA) communications over Transmission Control Protocol/Internet Protocol (TCP/IP).

The STS provides the following capabilities:

- Probe - STS is able to generate a list of components on the radio set that STS can run tests against as well as execute a test event for the radio, allowing the user to run the STS tests for each component for the selected Units of Functionality (UoFs) and mandatory requirements.
- Test Selection - The user can select/deselect, or identify the set of UoFs for each implemented component as required.
- Test Runner - The user can start/stop the automated tests that have been selected to run and monitor the status of the current running test. STS will save the test status and results to xml files.
- Log/Result Viewer - The user can view the test result status of the entire test event and print a test report.
- Test Summary – Provides a graphical representation of the overall as well as individual Component Test Results.



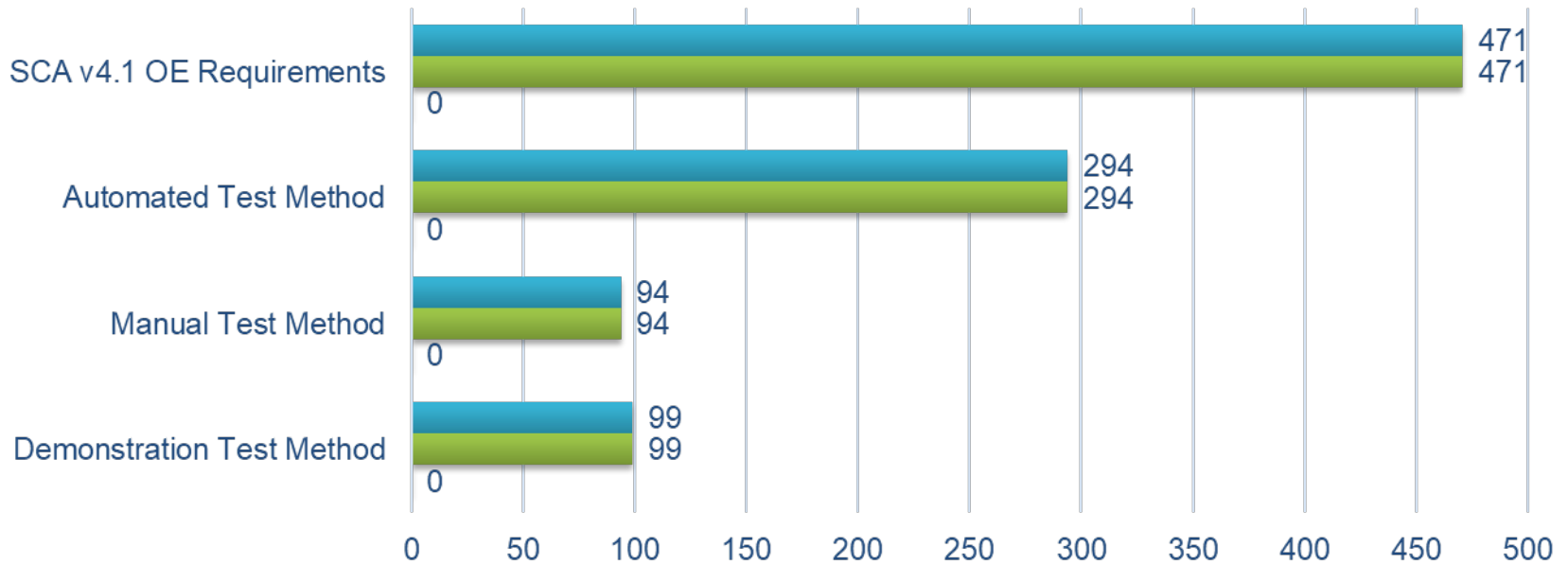
STS System Overview





SCA 4.1 Requirements Test Coverage

SCA Test Method



	Demonstration Test Method	Manual Test Method	Automated Test Method	SCA v4.1 OE Requirements
Total Requirements	99	94	294	471
Developed	99	94	294	471
To be developed	0	0	0	0

■ Total Requirements
 ■ Developed
 ■ To be developed



Resource

STS will be released as Distro D. tool and will only be available upon request by applicable SCA 4.1 developers.

Contact:

- Website: <https://www.jtnc.mil/Resources-Catalog/Category/16990/sca/>
- YouTube videos:
 - Introduction to SCA 4.1 Part 1:
https://www.youtube.com/watch?v=_tlkXzu9iOM
 - Introduction to SCA 4.1 Part 2:
<https://www.youtube.com/watch?v=MVOYpvCeGzE>
 - SCA 2.2.2 to 4.1 Migration Overview:
<https://www.youtube.com/watch?v=5j4prVMiWZg>
- JTNC Contact Form:
 - <https://www.jtnc.mil/Contact/>



Q & A