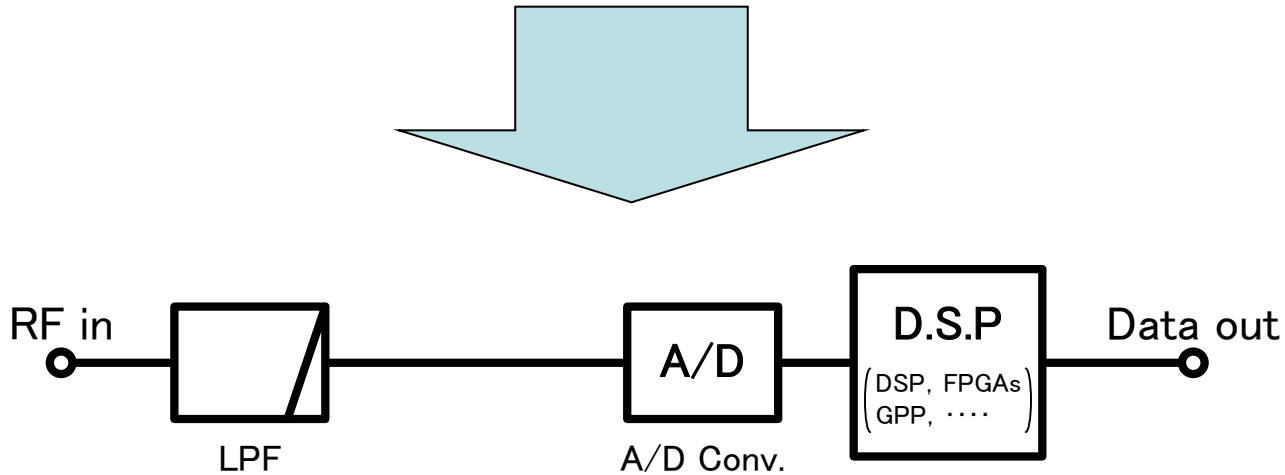

RF Sampling Software Defined Radio for HF Band



- **Introduction**
- **Sensitivity (NF) of SDR**
- **NF analysis for ADC**
- **Analysis of bit-length for DSP**
- **Analysis and design for front-end**
- **Conclusion**
- **Q&A**

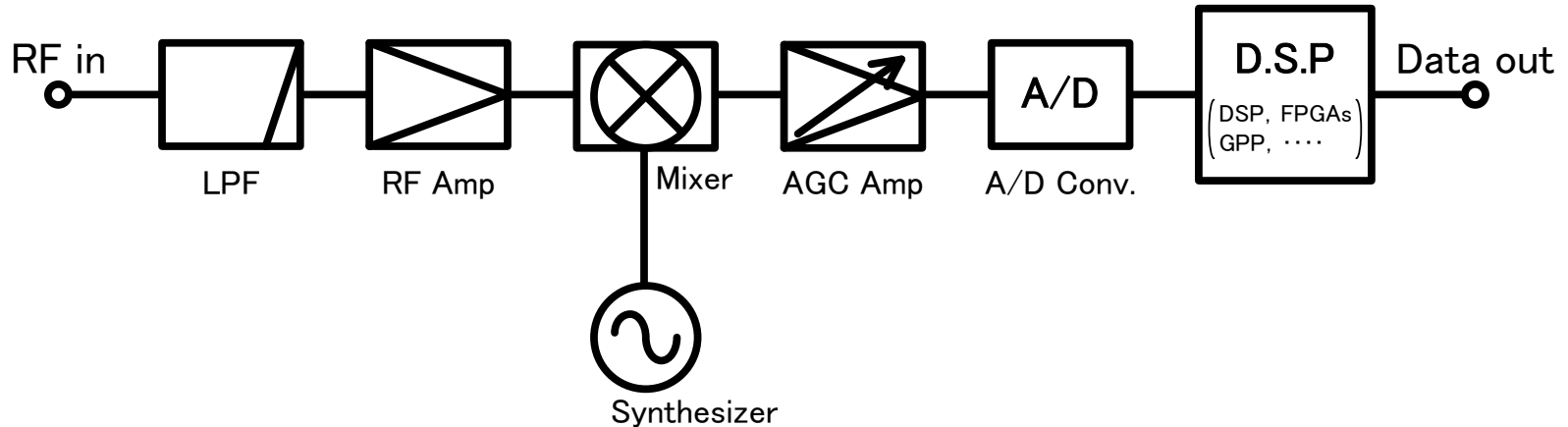
What is an ideal SDR architecture?



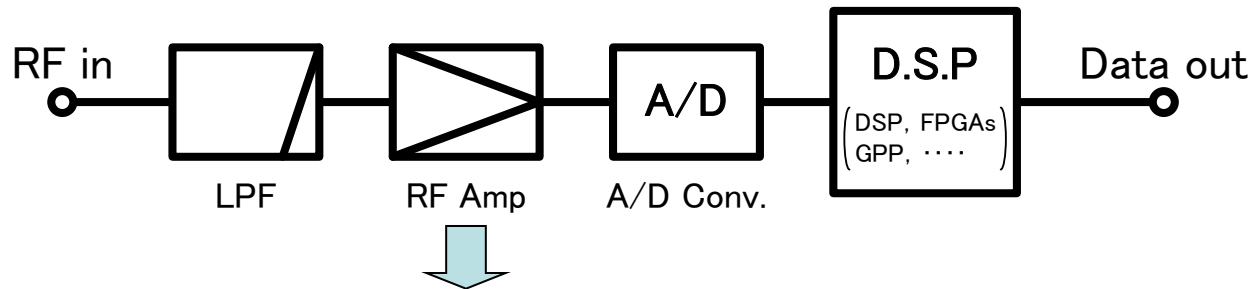
Depends on ...

- **receiving frequency**
- **receiving band width**

Current architecture of SDR is ...



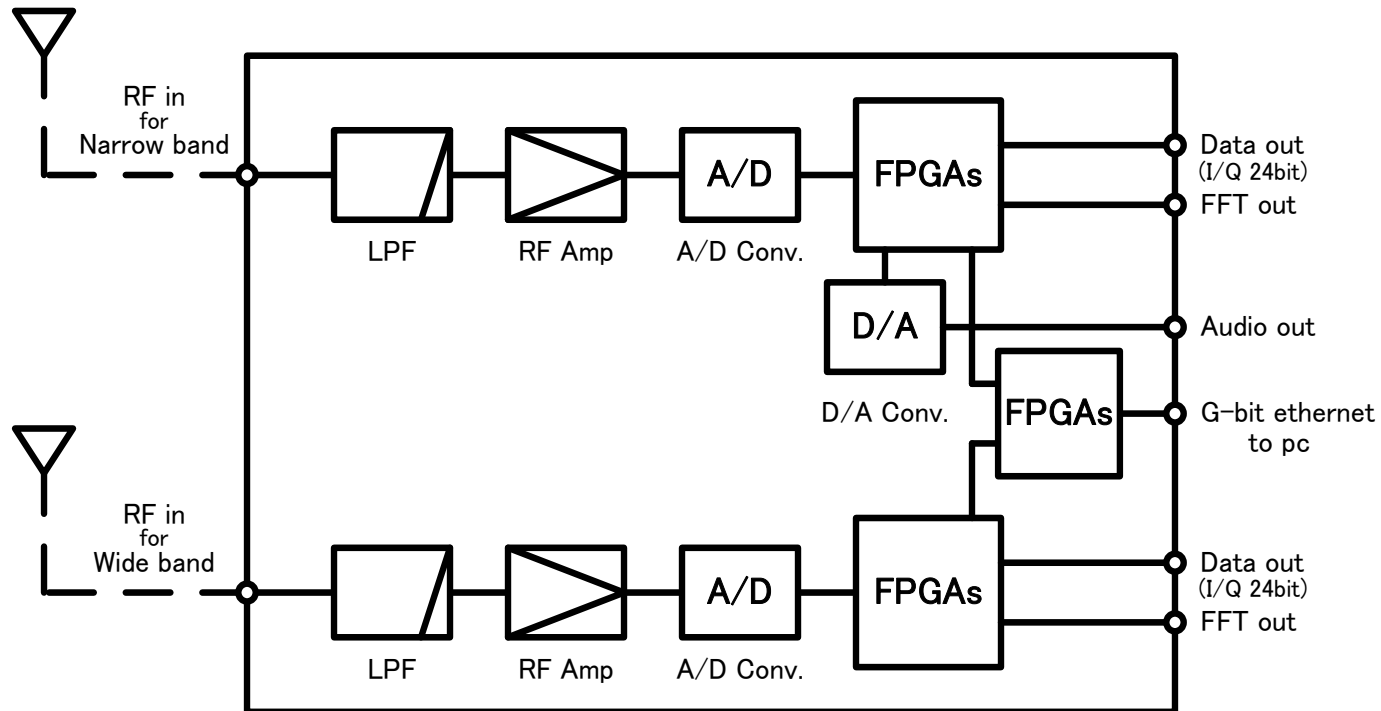
Progressive and realistic architecture of SDR is ...



RF amplifiers are needed for keeping the NF.

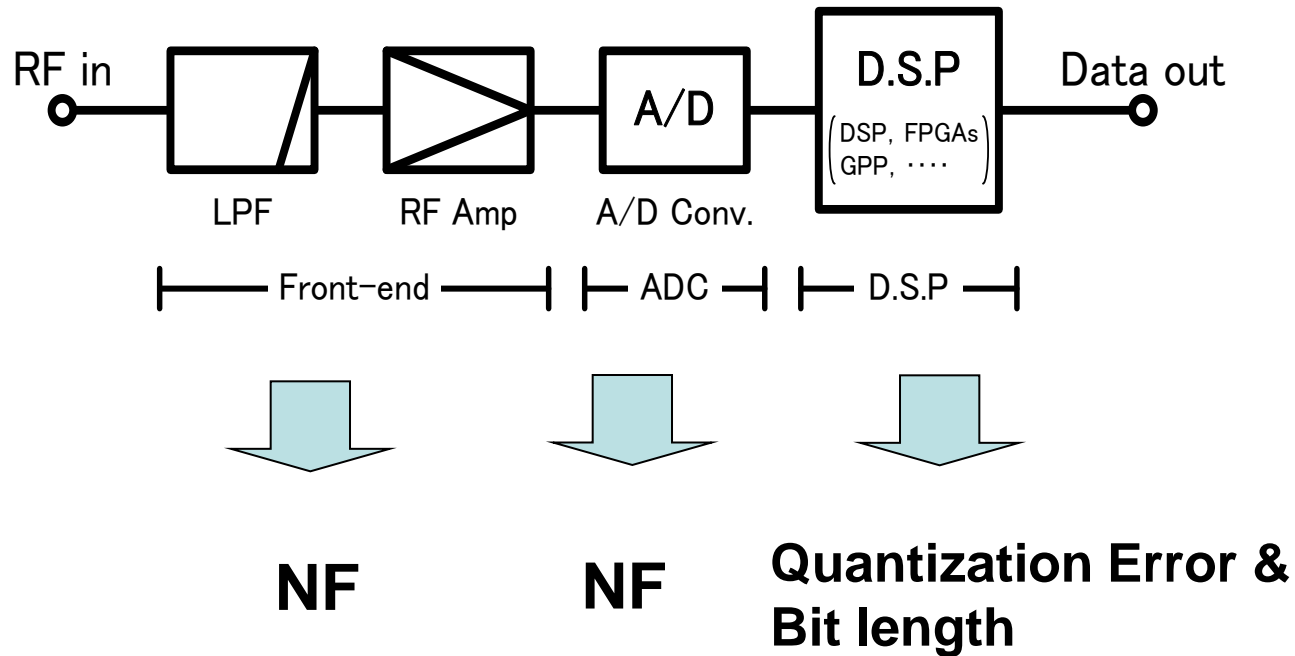
We propose

a realistic SDR for HF band with very high sensitivity & IPs.



- no Analog Mixer (no image receptions)
- no Analog Synthesizer (no reciprocal mixing)
- no Analog AGC Circuits (no target reduction)

How to establish the noise figure and design the appropriate RF amplifier...



Specification goal for SDR

High sensitivity mode

Sensitivity (NF)	NF : 8dB
IPs (IP3in & IP2in)	IP3in : +20dBm
	IP2in : +60dBm

Low distortion mode

Sensitivity (NF)	NF : 14dB
IPs (IP3in & IP2in)	IP3in : +30dBm
	IP2in : +70dBm

How to establish the NF of ADC?

Example of ADC characteristics

Resolution [bits]	16[bits]
Full-scale input swing voltage [V p-p]	2.75[V p-p]
Sampling frequency [MHz]	100[MHz]
Signal to quantization noise ratio S/N [dB]	81.1[dB]

Amount of noise in ADC output[dBFS]

$$= - S/N = - 81.1[\text{dBFS}] \quad (1)$$

NF analysis for ADC ②

Amount of noise in 1Hz BW of ADC can be described as...

$$\begin{aligned} & \text{Amount of noise in 1Hz BW of ADC output [dBFS]} \\ &= \text{Amount of noise in ADC output [dBFS]} \\ & \quad - \text{Correction factor for 1Hz BW [dB]} \quad (2) \end{aligned}$$

Correction factor for 1Hz BW can be described as...

$$\begin{aligned} & \text{Correction factor for 1Hz Bandwidth [dB]} \\ &= 10 \log(\text{Nyquist bandwidth} / 1 \text{ Hz bandwidth}) \\ &= 10 \log(5e7) = 77.0 \text{ [dB]} \quad (3) \end{aligned}$$

Amount of noise in 1Hz BW of ADC

$$= -81.1 \text{ [dBFS]} - 77 \text{ [dB]} = -158.1 \text{ [dBFS/Hz]} \quad (4)$$

Convert to the RF level:

$$\text{full-scale voltage} = 2.75[\text{V p-p}] = 0[\text{dBFS}] = 12.8[\text{dBm}] \quad (5)$$

By using equation (4), (5)

noise in 1Hz BW of ADC output converts to the RF level:

$$\begin{aligned} \text{noise in 1Hz BW of ADC output} \\ = 12.8[\text{dBm}] - 158.1[\text{dB}] = -145.3[\text{dBm}] \quad (6) \end{aligned}$$

$$\begin{aligned} \text{thermal noise in 1Hz BW} &= 10\log(kT) [\text{dBm}] \\ &= 10\log((1.38\text{e-}23) (2.98\text{e}2)) = 10\log(4.11\text{e-}18) \\ &= 173.9[\text{dBm}] \quad (8) \end{aligned}$$

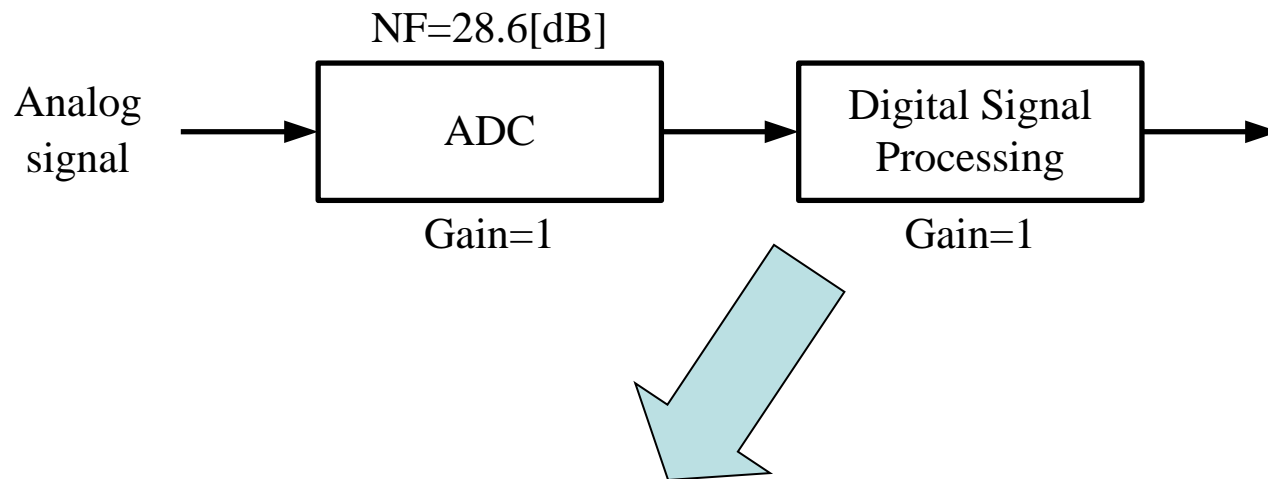
Where k = Boltzmann's constant, $1.38\text{e-}23$
 T = absolute temperature, K (298 K)

NF of ADC is designated as:

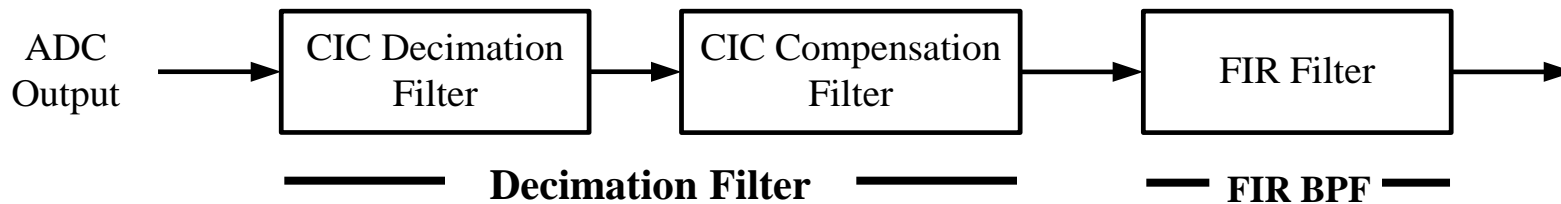
$$\begin{aligned} \text{NF of ADC} &= \text{ADC noise component in 1 Hz BW} \\ &\quad - \text{thermal noise in 1 Hz BW} \\ &= -145.3[\text{dBm}] - (-173.9[\text{dBm}]) = 28.6[\text{dB}] \quad (9) \end{aligned}$$

From equation (9),
NF of ADC can be assumed to be 28.6dB.

Process of Digital Signal Processing



Principal flow diagram of digital signal processing



Analysis of noise in the digital filter.

In - bandnoise of the filter

= inbandnoise of ADC output + quantization noise of itself (10)

Out - bandnoise of the filter

= outbandquantization noise of it (11)

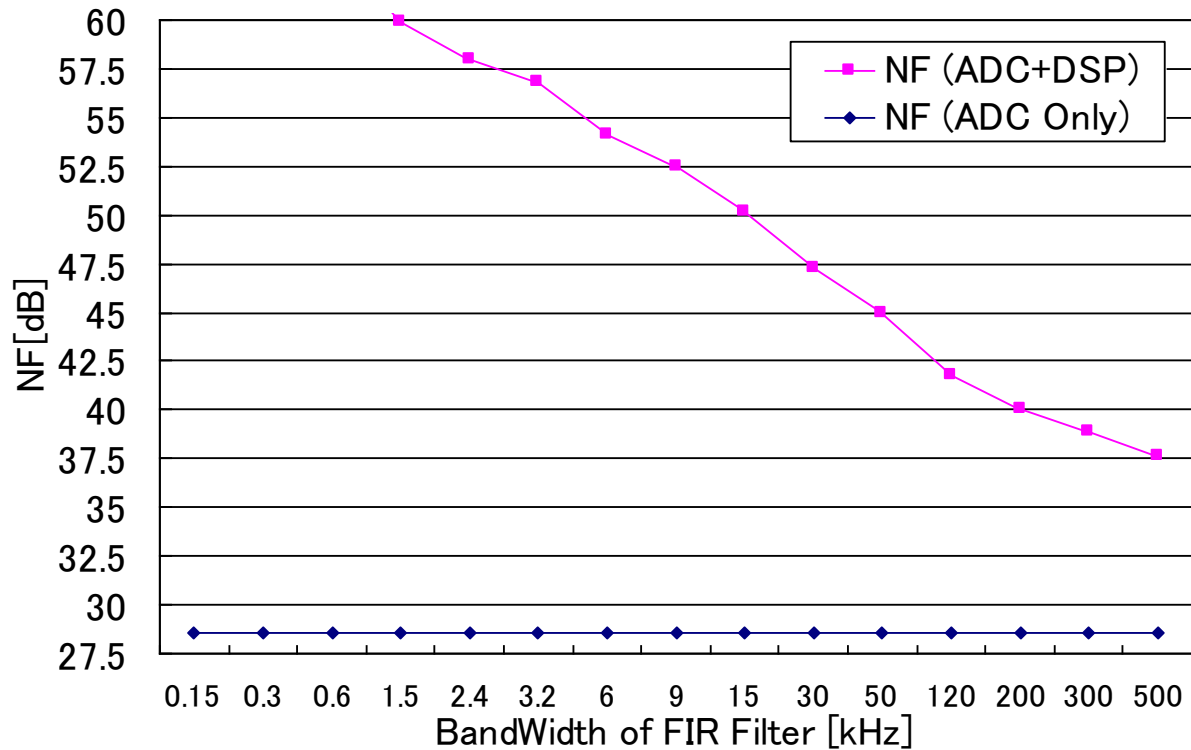
Amount of noise in the filter output

= inbandnoise of the filter + outbandnoise of the filter (12)

Analysis of the bit length for DSP ③

NF calculation of 16bit decimation filter and 16bit FIR filter

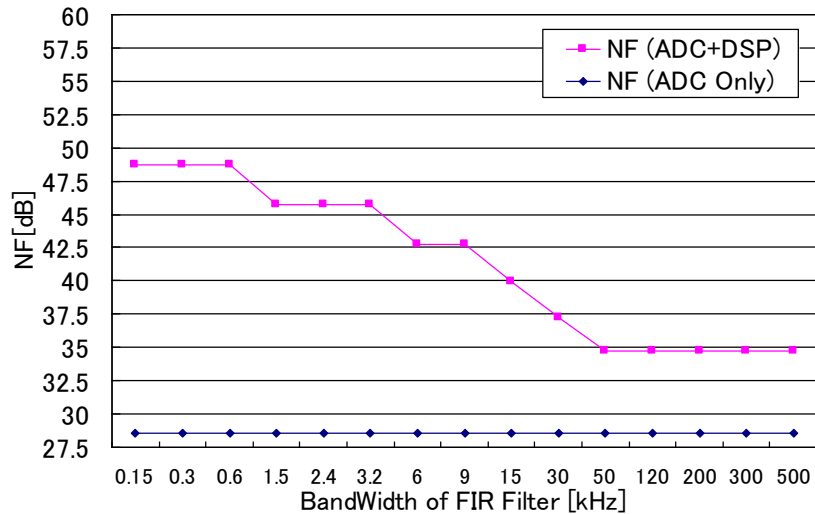
Decimation filters bit length: 16bit
FIR filters bit length: 16bit



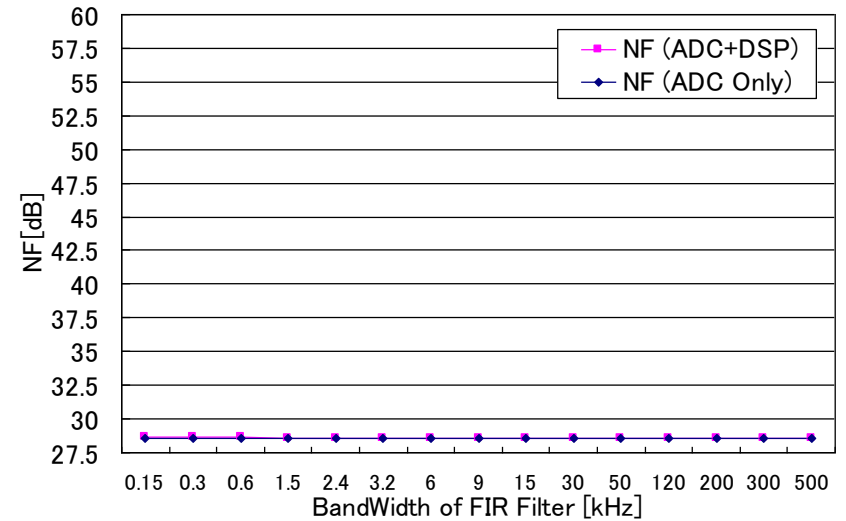
Analysis of the bit length for DSP ④

Calculation of the good length bit for decimation filters

Decimation filters bit length: 16bit
FIR filters bit length: 32bit

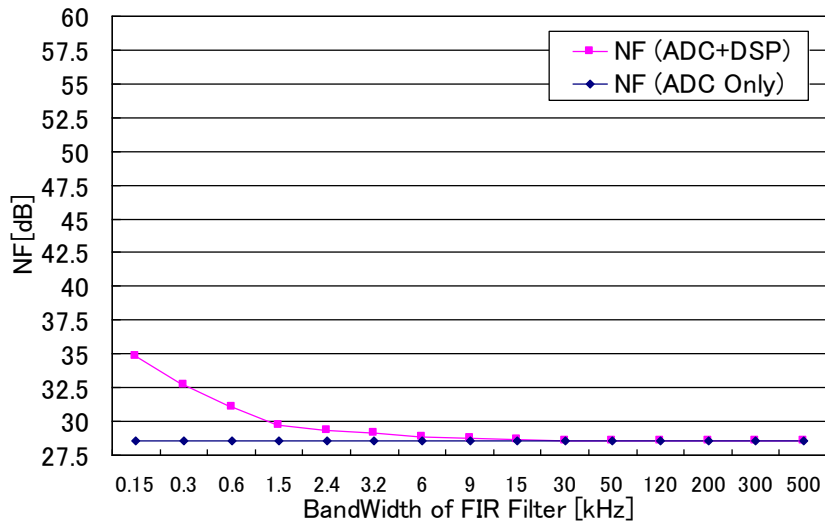


Decimation filters bit length: 22bit
FIR filters bit length: 32bit

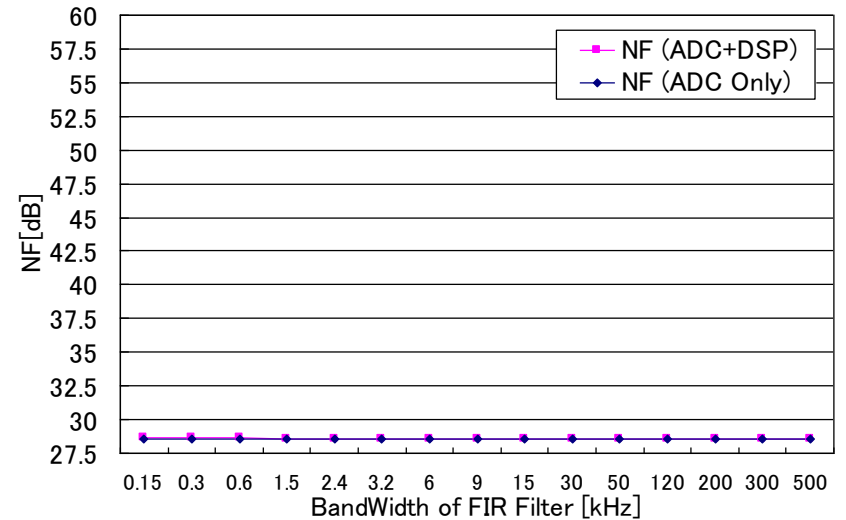


Calculation of the good length bit for FIR filters

Decimation filters bit length: 32bit
FIR filters bit length: 22bit



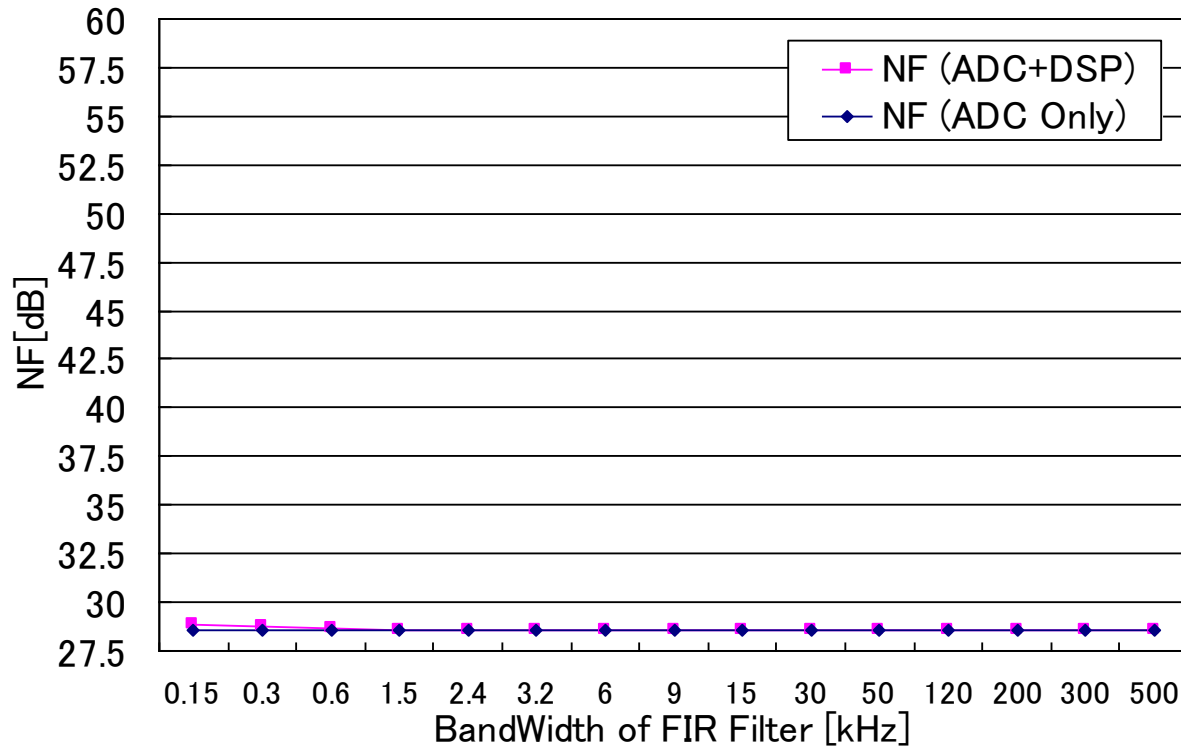
Decimation filters bit length: 32bit
FIR filters bit length: 25bit



Analysis of the bit length for DSP ⑥

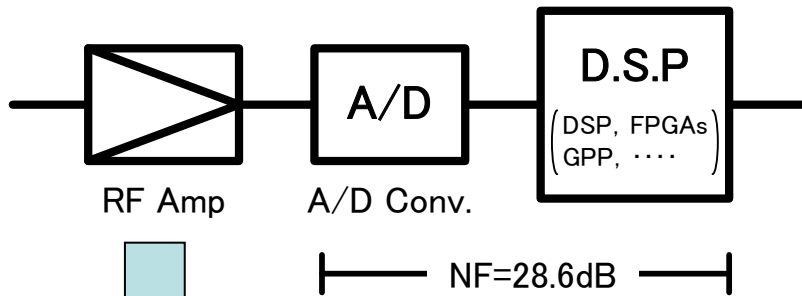
NF calculation of 22bit decimation filter and 25bit FIR filter

Decimation filters bit length: 22bit
FIR filters bit length: 25bit



Analysis and design for front-end ①

Calculating the NF and gain for front-end in order to keep receivers NF of 8dB.



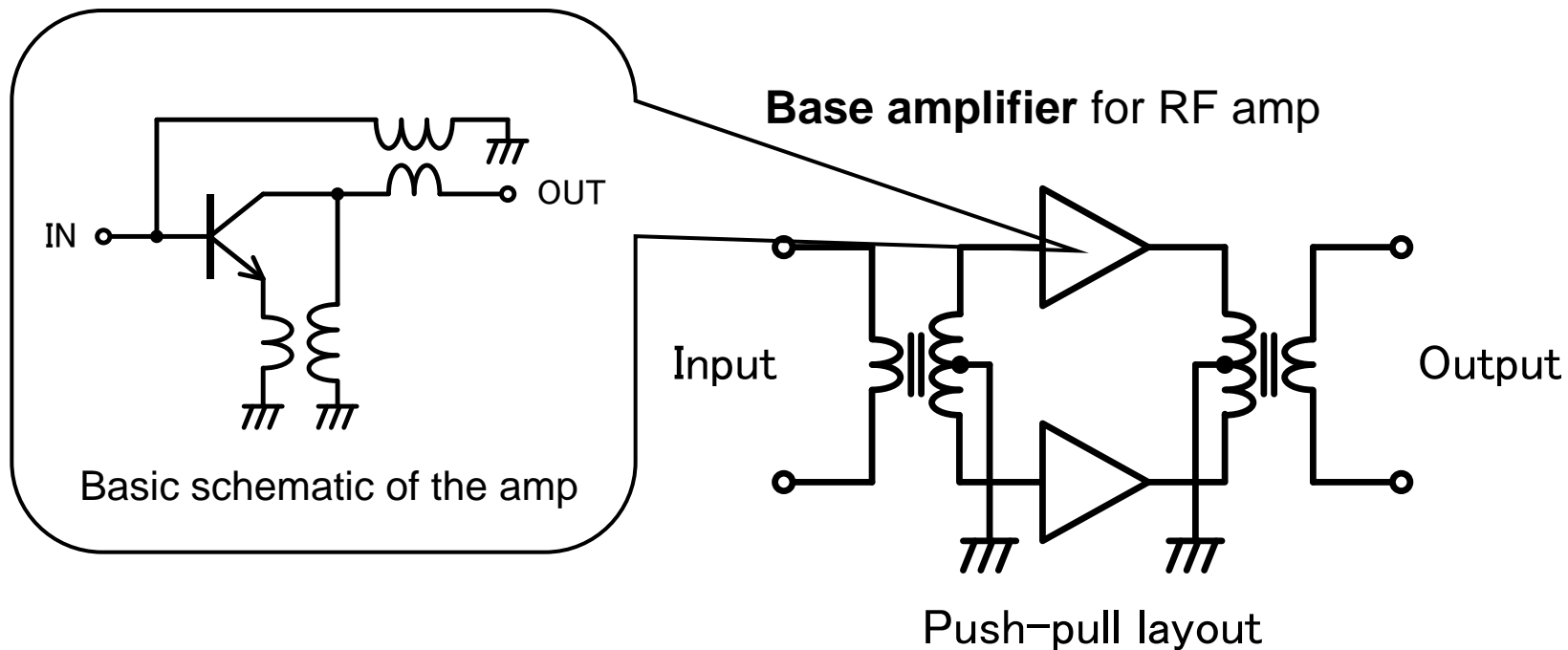
↓

NF=
 Gain=
 IP3=
 IP2=

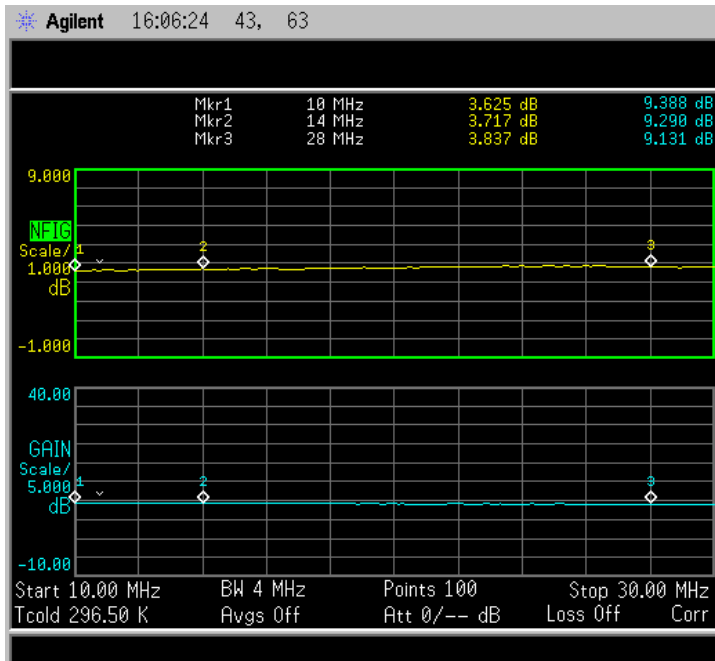
NF for front-end [dB]	Necessary gain for front-end [dB]
0	21.3434046
1	21.5605299
2	21.8502767
3	22.2448863
4	22.7988092
4.5	23.1642654
5	23.6146253
5.5	24.1826455
6	24.9232352
6.5	25.9393661
7	27.4622541
7.5	30.2297457

Specification goal for SDR	
Sensitivity (NF)	NF : 8dB
IPs (IP3in & IP2in)	IP3in : +20dBm
	IP2in : +60dBm
Sensitivity (NF)	NF : 14dB
IPs (IP3in & IP2in)	IP3in : +30dBm
	IP2in : +70dBm

Amplifier Design



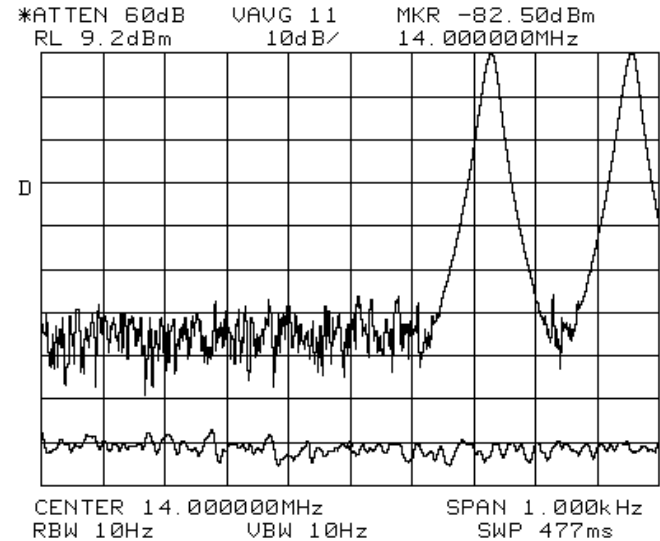
Gain	9.2dB @14MHz
NF	3.7dB @14MHz
IP3in	45.9dBm @14MHz
IP2in	82.2dBm @14MHz



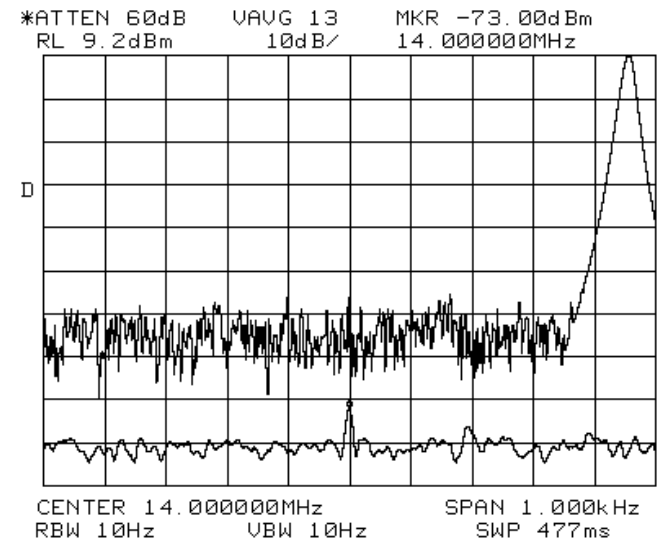
NF=3.7dB
@14MHz

Gain=9.2dB
@14MHz

IP3 of the base amplifier



IP2 of the base amplifier



The IP3in

$$= \frac{\text{Two tone level} - \text{IMD level}}{2} + \text{Input}$$

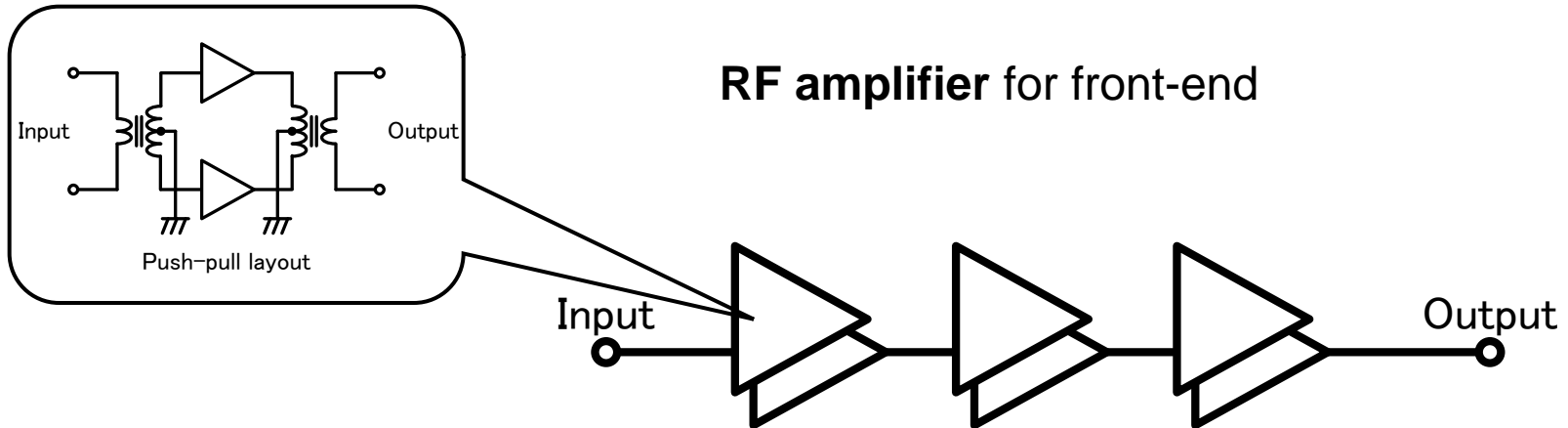
$$= \frac{9.2[\text{dBm}] - (-82.50[\text{dBm}])}{2} + 0[\text{dBm}] = 45.85[\text{dBm}] \quad (14)$$

The IP2in

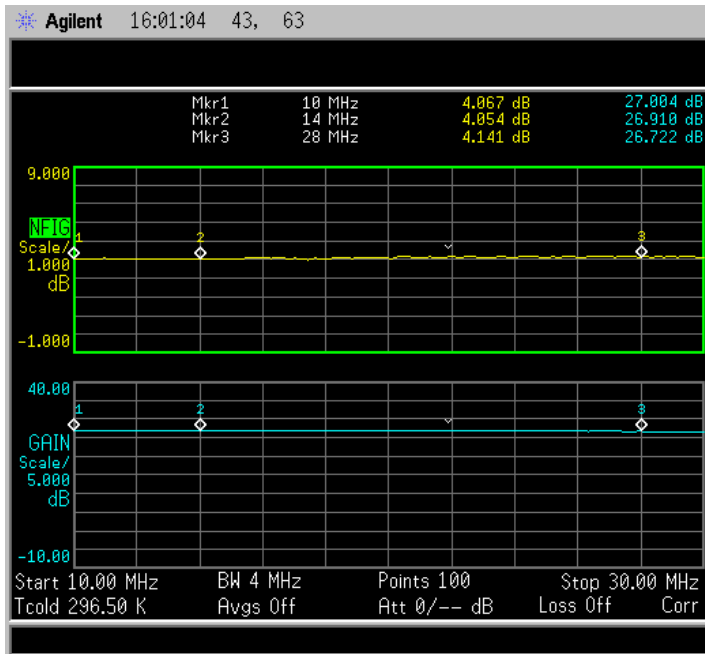
$$= (\text{Two tone level} - \text{IMD level}) + \text{Input}$$

$$= 9.2[\text{dBm}] - (-73.00[\text{dBm}]) + 0[\text{dBm}] = 82.2[\text{dBm}] \quad (16)$$

Amplifier Design



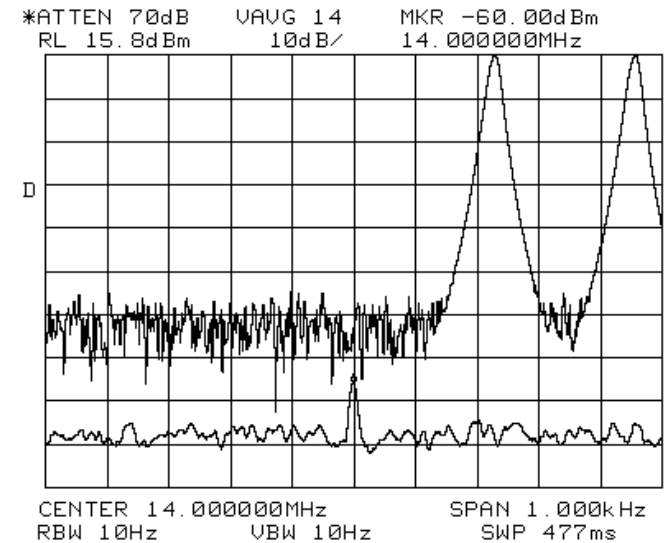
Gain	26dB @14MHz
NF	4.1dB @14MHz
IP3in	+27.9dBm @14MHz
IP2in	+71.1dBm @14MHz



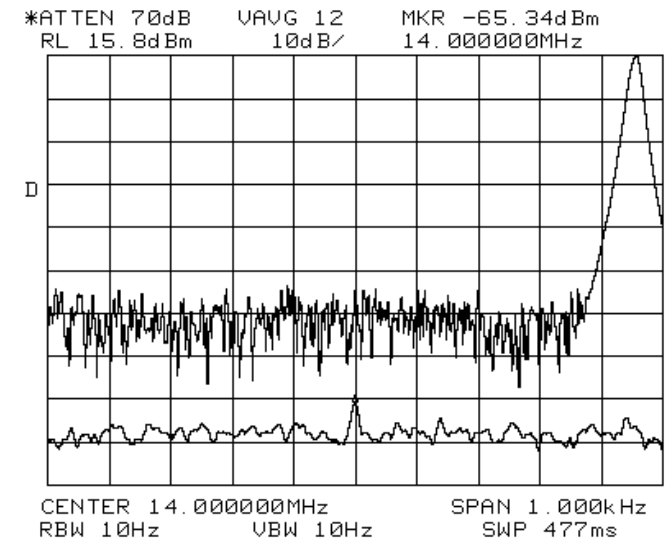
NF=4.1dB
@14MHz

Gain=26dB
@14MHz

IP3 of the RF amplifier



IP2 of the RF amplifier



The IP3in

$$= \frac{\text{Two tone level} - \text{IMD level}}{2} + \text{Input}$$

$$= \frac{15.8[\text{dBm}] - (-60.0[\text{dBm}])}{2} + (10)[\text{dBm}] = 27.9[\text{dBm}] \quad (17)$$

The IP2in

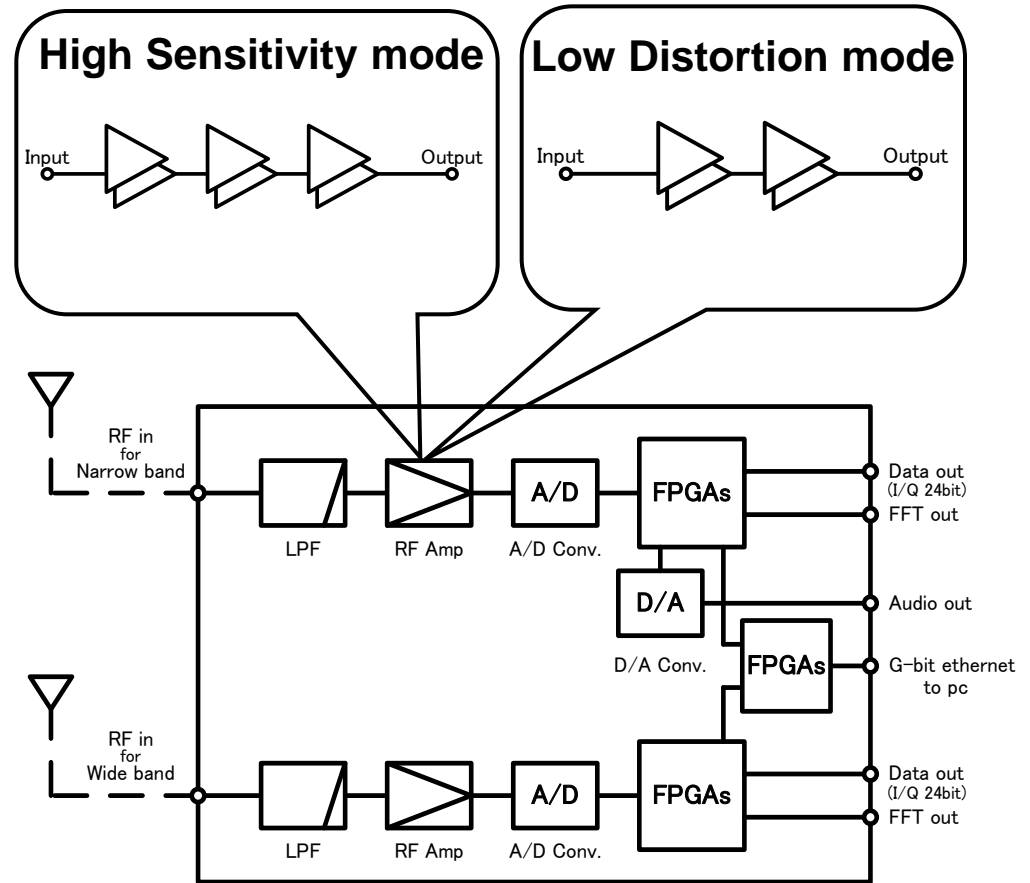
$$= (\text{Two tone level} - \text{IMD level}) + \text{Input}$$

$$= 15.8[\text{dBm}] - (-65.3[\text{dBm}]) + (10)[\text{dBm}] = 71.1[\text{dBm}] \quad (18)$$

Conclusion

Performance characteristics of the SDR

Frequency Range	500kHz to 30MHz
NF (high sensitivity mode)	8.0dB (typ)
NF (low distortion mode)	14.0 dB (typ)
IP3(in-band) (high sensitivity)	+23dBm (typ)
IP3(in-band) (low distortion)	+30dBm (typ)
IP2(in-band) (high sensitivity)	+70dBm (typ)
IP2(in-band) (low distortion)	+80dBm (typ)
Receiving band width (wide)	1.25MHz to 10MHz
Receiving band width (narrow)	150Hz to 500kHz
Signal linearity	>130dB
RF limit level for receiving	-13dBm
IQ data output (Max)	24bit each



Thank you !

Any questions ?